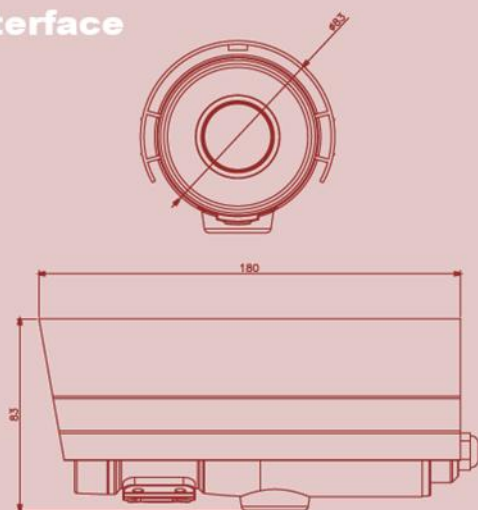




Main Features

- High definition 720P @30 FPS
- 2-Megapixel CMOS sensor
- H.264/ JPEG/ MPEG4 compression
- Video out
- IP66
- Power over Ethernet
- 20M built-in IR LED
- Mechanism IR Cut filter
- SD card backup
- 2-way audio
- Support iPhone/ Android/ Symbian/ Blackberry
- SDK for software Integration
- Free bundle 36 ch recording software
- Compatible with ONVIF standard

Interface



Accessory



Unit: mm

Specifications

CPU	ARM 9 ,32 bit RISC
RAM	256MB
Flash	16MB
Image Sensor	1/3.2" CMOS (2 Megapixels)
Sensitivity	0 lux (IR On)
Support DC IRIS	Yes
Lens Type	Vari-focal 3.6~16mm, F1.2
Angle of View	20.8°~75.4° (horizontal) 15.7°~54.9° (vertical)
ICR	Mechanism IR cut Filter
LED	Built-in 35 IR LED IR Distance 20M
I/O	1 in/ 1 Relay Out
Video Out	1.0Vp-p, 75Ω, BNC
Audio	G.711 audio compression Interface: Mic in Audio output: 3.5mm phone jack Support 2-way audio
Power	Power 12V DC Power Consumption: IR on 6.5W, IR off 4.8W PoE Class 0 (IEEE802.3af), optional / Power Consumption: IR on 9.3W, IR off 6.9W
Operating Temperature	-10°C~40°C
Dimensions	83mm(ψ) x 180mm(D)
Weight	1000g

Network

Ethernet	10/ 100 Base-T
Network Protocol	HTTP, TCP/ IP, UDP, SMTP, FTP, PPPoE, DHCP, DDNS, NTP, UPnP, 3GPP, SAMBA

System

Video Resolution	1600x1200, 1280x1024, 1280x960, 1280x720, 800x600, 640x480, 320x240, 176x144
Video Adjust	Brightness, Contrast, Sharpness, BLC, Night Mode
Triple Streaming	Yes
Image Snapshot	Yes
Full Screen Monitoring	Yes
Privacy Mask	Yes, 3 different areas
Compression Format	H.264/ JPEG/ MPEG4 (3GPP only)
Video Bitrates Adjust	CBR, VBR
Motion Detection	Yes, 3 different areas
Triggered Action	Mail, FTP, Save to SD card, Relay, Samba
Pre/ Post Alarm	Yes, configurable
Security	Password protection
Firmware Upgrade	HTTP mode, can be upgraded remotely
Simultaneous Connection	Up to 10

Client system requirements

OS	Windows 2000, XP, 2003, Microsoft IE 6.0 or above
Hardware	
Suggested	Intel Dual Core 1.66G, RAM: 1024MB, Graphic card: 128MB
Minimum	Intel-C 2.8G, RAM: 512MB, Graphic card: 64MB