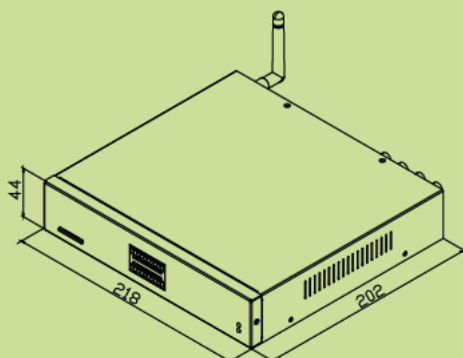
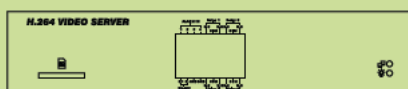




## Main Features

- 4CH Input
- De-interlace function
- H.264/ MJPEG/MPEG4 compression
- SD card backup
- 2-way audio
- Triple Streaming
- Power over Ethernet
- Support iPhone/ Android/ Symbian/ Blackberry
- SDK for Software Integration
- Wireless
- Free Bundle 36 ch recording software

## Interface



Unit: mm

Hardware	
CPU	ARM 9 ,32 bit RISC
RAM	256MB
Flash	16MB
Video Input	BNC x 4
Video Looping Output	BNC x 4
Audio In/Out	4 in / 1 out (RCA type)
Alarm Input	4
Relay Out	4
RS-485	1, for PTZ control
Power	DC 12V Power Consumption: 7.56W
Operating Temperature	-10°C~40°C
Dimensions (WxHxD)	218mm (W)x44mm (H)x202mm (D)

Network	
Ethernet	10/ 100 Base-T
Network Protocol	HTTP, TCP/ IP, UDP, SMTP, FTP, PPPoE, DHCP, DDNS, NTP, UPnP, 3GPP, SAMBA
Wireless(optional)	
Wireless Type	802.11b/g/n
Security	WEP,WPA-PSK,WPA2-PSK

System	
Video Resolution	NTSC: 720x480 , 704x480, 352x240, 176x144 PAL: 720x576 , 704x576, 352x288, 176x144
Video Adjust	Brightness, Contrast, Saturation, Hue
Image Snapshot	Yes
Full Screen Monitoring	Yes
Compression Format	H.264/MJPEG
Video Bitrate Adjust	CBR, VBR
Motion Detection	1 Areas per 1 channel
Triggered Action	Mail, FTP, Save to SD storage, Relay, SAMBA
Pre/Post Alarm	Yes
Security	Password protection
Firmware Upgrade	HTTP mode, can be upgraded remotely
Simultaneous Connection	Up to 8
Audio	2-wav audio (Duplex Support)

SD card management	
Recording Trigger	Motion Detection, IP check, Network break down (wire only), Relay
Video Format	AVI, JPEG
Video Playback	Yes
Delete Files	Yes, can be deleted or overwrite

Client system requirements	
OS	Windows 2000, XP, 2003, IE 6.0 or above
Hardware	
Suggested	Intel Dual Core 1.66G, RAM: 1024MB, Graphic card: 128MB
Minimum	Intel 2.8G, RAM: 256MB, Graphic Card: 32MB